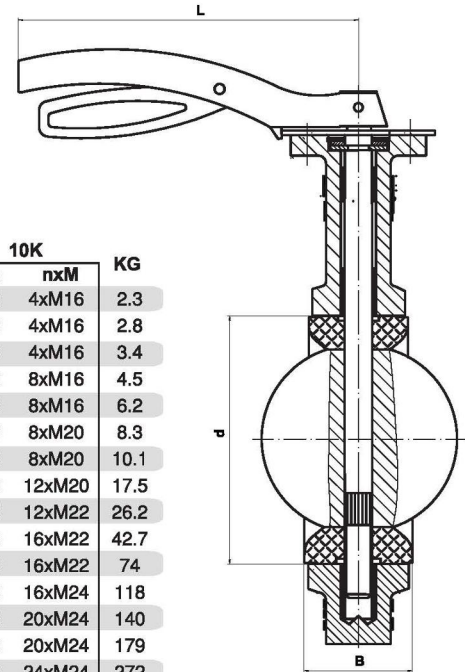
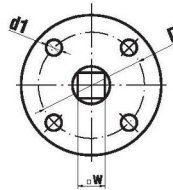
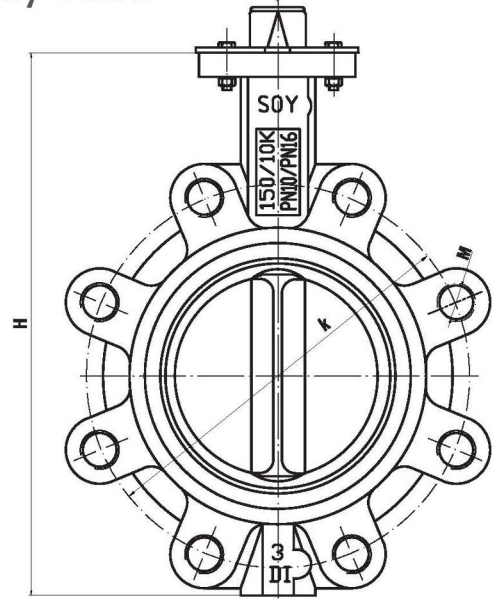


## Lug Tip Kelebek Vana / Lug Type Butterfly Valve



DN	H	L	D	d <sub>1</sub>	W	d	B	PN10		PN16		5K		10K		KG
								Øk	nxM	Øk	nxM	Øk	nxM	Øk	nxM	
40	198	172	50	7	9	72	35	110	4xM16	110	4xM16	95	4xM12	105	4xM16	2.3
50	198	172	50	7	9	76	46	125	4xM16	125	4xM16	105	4xM12	120	4xM16	2.8
65	218	172	50	7	9	89	49	145	4xM16	145	4xM16	130	4xM12	140	4xM16	3.4
80	233	172	50	7	9	104	49	160	8xM16	160	8xM16	145	4xM16	150	8xM16	4.5
100	270	218	70	10	11	135	55	180	8xM16	180	8xM16	165	8xM16	175	8xM16	6.2
125	303	218	70	10	14	159	59	210	8xM16	210	8xM16	200	8xM16	210	8xM20	8.3
150	340	218	70	10	14	188	59	240	8xM20	240	8xM20	230	8xM16	240	8xM20	10.1
200	400	322	102	12	17	238	64	295	8xM20	295	12xM20	280	8xM20	290	12xM20	17.5
250	470	322	102	12	22	292	72	350	12xM20	355	12xM24	345	12xM20	355	12xM22	26.2
300	540	230	102	12	22	344	81	400	12xM20	410	12xM24	390	12xM20	400	16xM22	42.7
350	610	230	125	14	22	375	81	460	16xM20	470	16xM24	435	12xM22	445	16xM22	74
400	680	230	140	18	27	440	90	515	16xM24	525	16xM27	495	16xM22	510	16xM24	118
450	740	230	140	18	27	491	109	565	20xM24	585	20xM27	555	16xM22	565	20xM24	140
500	820	230	140	18	36	535	135	620	20xM24	650	20xM30	605	20xM22	620	20xM24	179
600	1037	331	165	22	36	654	159	725	20xM30	770	20xM36	715	20xM24	730	24xM24	272

NO	PARÇA ADI	PART NAME	MALZEME/MATERIAL
1	GÖVDE	BODY	GG25/GGG40/WCB/RG5-10/SS316
2	UZUN BURÇ	LONG BUSHING	PTFE
3	MİL	STEM	AISI 420
4	CONTA	GASKET	NBR/VITON/PTFE/EPDM/NR/SİLİKON/SBR
5	KLAPE	DISC	ALU-BRONZE/SS316/DI/SS304
6	KISA BURÇ	SHORT BUSHING	PTFE
7	O RING	O RING	NBR
8	PUL	WASHER	GR.33
9	SEGMAN	CIRCLIP	GR.33
10	KOL	LEVER	ST42 / Aluminium
11	CİVATA	BOLT	STEEL

### UYGULAMA ALANLARI / APPLICATIONS

SU, DENİZ, SUYU, ATIK SU, HAVA, YAĞ, TOZ, GAZ vb.  
WATER, SEA WATER, WASTE WATER, AIR, OIL, GAS, etc.

BAĞLANTILAR / ENDS: DIN EN 1092-2

ÇALIŞMA BASINCI / WORKING PRESSURE : PN16

ÇALIŞMA SICAKLIĞI / WORKING TEMP.:

NBR : -10°C, +82°C , EPDM : -10°C, +110°C ,